

# S LUM Gen2

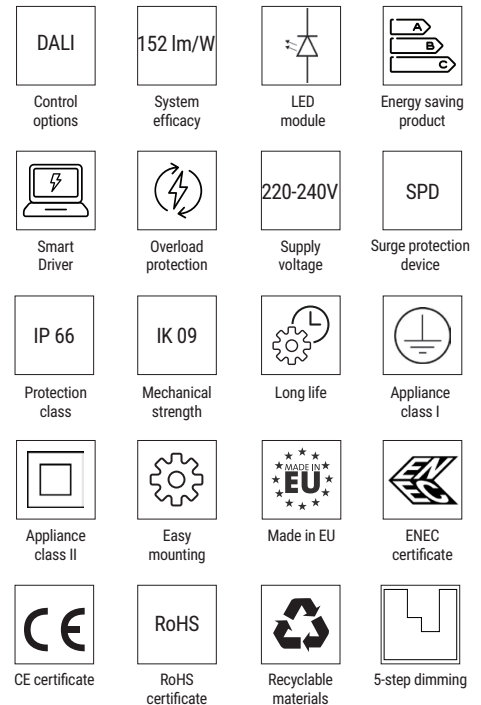


**LUMENIA  
STREET**

S LUM light is our star energy-efficient product for street lighting, as it drastically reduces energy and maintenance costs. S LUM street lights feature a toolless, replaceable light engine and power supply. Other features include a post-top mounting bracket that is horizontally and vertically adjustable. This reliable luminaire has a long lifetime of more than 100,000 hours.



	S LUM 1	S LUM 2
System efficacy	Up to 152 lm/W	Up to 152 lm/W
Supply voltage	220-240 VAC	220-240 VAC
LED	12-16	24-48
Power	30-55 W	60-135 W
Luminous flux	4,560-7,870 lm	9,120-20,120 lm
Power factor	>0.96	>0.96
EPA rating	0.0336 m <sup>2</sup>	0.0406 m <sup>2</sup>
Advisable installation height	Up to 8 m	Up to 15 m
Weight (kg)	6 kg	9 kg
Lifetime L80B10	>100,000 h	
CCT	4000 K; other upon request	
CRI	≥70; ≥80 upon request	
Ingress protection	IP 66	
Mechanical strength	IK 09	
Surge protection options	10 kV / 6 kV; additional SPD 10 kV / 10 kA	
Operating temperature	-40 °C to +55 °C	
Electrical / Appliance class	Class I, Class II	
Tilt	-10° to 15°	
Dimming levels	0-100 %	
Remote control options	Optional RF or PLC	
Colour (RAL)	RAL 7037	
Housing material	Aluminium	
Salt spray test	Yes (salt chamber test according to EN 60068 -2 -11:1999)	
Mounting	Pole 60 mm or 76 mm	
Warranty	5 years on electronics, 10 years on mechanical parts	
Certificates	IEC 60598-1:2014 (8th edition); IEC 60598-2-3:2002 + A1:2011; EN 60598-1:2015; EN 60598-2-3:2003 + A1:2011; IEC/EN 62031:2008 + A1 + A2; IEC/ TR 62778:2014; EN60068-2-6: N60068-2-27:CE, ENEC, LM79, IES LM-82-12	



## MAIN FEATURES

Efficacy up to 152 lm/W  
Screw-less access  
Die cast aluminium  
IoT compatible

## APPLICATIONS

Road types: P1, P2, P3, P4, P5, P6, M1, M2, M3, M4, M5, M6  
Smaller sport playgrounds  
Parking lots

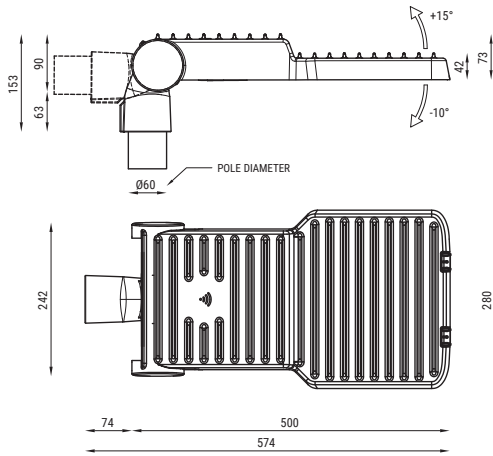
## ACCESSORIES

Surge protection device (SPD)  
ZHAGA socket  
NEMA socket  
Integrated camera

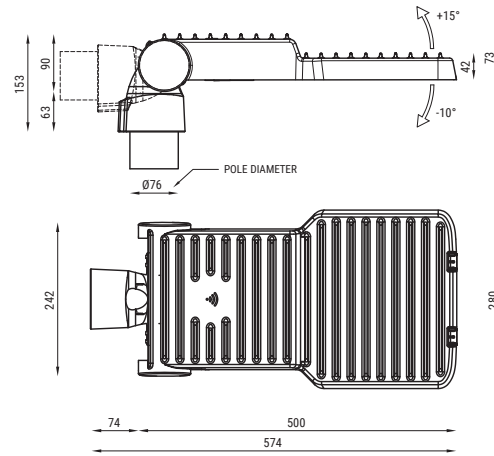
VARIATION	Standard Gen2
Efficacy	Up to 152 lm/W
Tool-less entry	Yes
Overheat protection	Yes
Number of optics	8
Different CCT available	Yes
Surge protection option	Optional
Control options	DALI, optional RF & PLC
Time dependant luminous flux	Yes

# DIMENSIONS

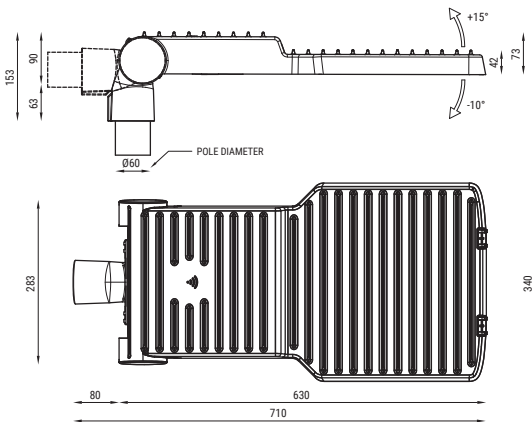
## S LUM 1 + ROTOR $\Phi 60$ MM



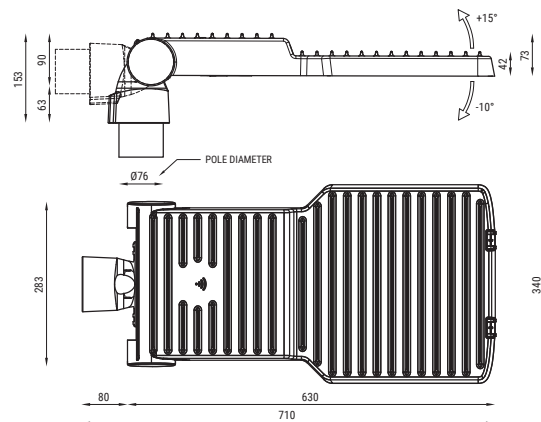
## S LUM 1 + ROTOR $\Phi 76$ MM



## S LUM 2 + ROTOR $\Phi 60$ MM

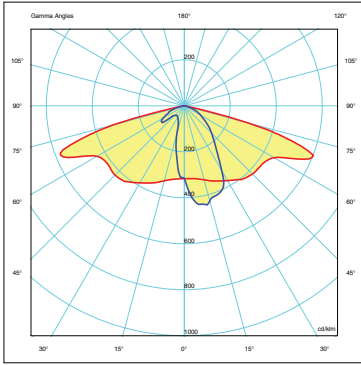


## S LUM 2 + ROTOR $\Phi 76$ MM

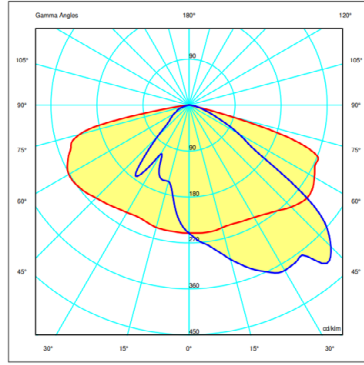


\*All dimensions are in mm.

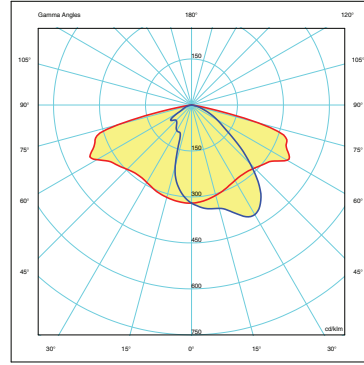
# OPTICS



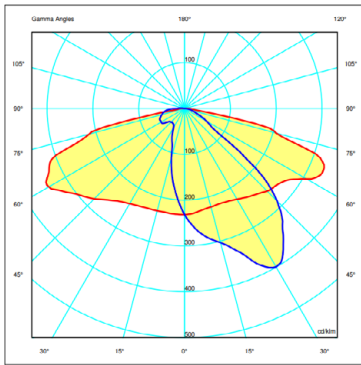
002: Suitable for narrow roadways, access roads, cycling and pedestrian areas.



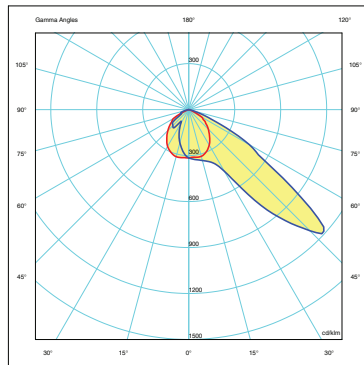
004: Suitable for larger distances between poles. High longitudinal uniformity factor.



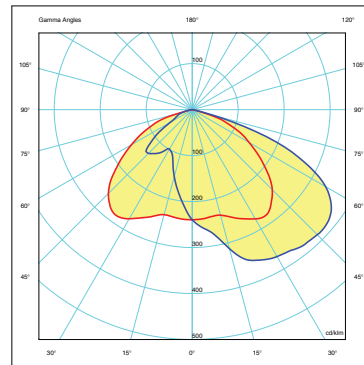
010: Suitable for larger distances between poles and high mounting installation. Higher uniformity factor.



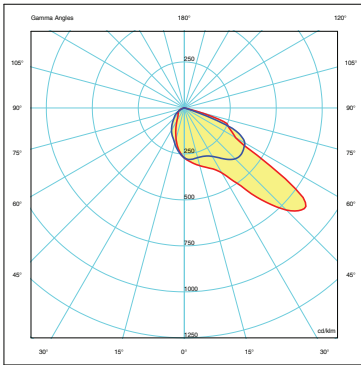
020: Suitable for wider roadways with large distances between poles.



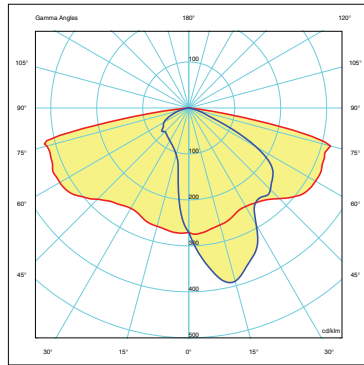
101: Suitable for small distances between poles and for parking spaces.



110: Suitable for wide roadways, smaller distances between poles and for parking spaces.



111: Suitable for pedestrian crossings.



220: Suitable for wide roadways and long distances between poles.

# PRODUCT VARIATIONS

## STANDARD Gen2

Article	LED	Power [W]	Luminous flux [lm] *	Efficacy [lm/W]	Forward current [mA]	Optics available	Body type	Control	Luminaires per fuse	Appliance class	Additional options
S1S.T.SA.12.30._ _ _	12	30	Up to 4560	152	400	8	S LUM 1	DALI	< 12 pcs	Class I / Class II	SPD, PLC, RF, NEMA socket, ZHAGA socket, Lightswitch
S1S.T.SA.16.40._ _ _	16	40	Up to 6080	152	400	8	S LUM 1	DALI	< 12 pcs	Class I / Class II	SPD, PLC, RF, NEMA socket, ZHAGA socket, Lightswitch
S1S.T.SA.16.55._ _ _	16	55	Up to 7870	144	525	8	S LUM 1	DALI	< 12 pcs	Class I / Class II	SPD, PLC, RF, NEMA socket, Lightswitch
S2S.T.SA.24.60._ _ _	24	60	Up to 9120	152	400	8	S LUM 2	DALI	< 12 pcs	Class I / Class II	SPD, PLC, RF, NEMA socket, ZHAGA socket, Lightswitch
S2S.T.SA.32.80._ _ _	32	80	Up to 12150	152	400	8	S LUM 2	DALI	< 8 pcs	Class I / Class II	SPD, PLC, RF, NEMA socket, ZHAGA socket, Lightswitch
S2S.T.SA.32.100._ _ _	32	100	Up to 14660	147	490	8	S LUM 2	DALI	< 8 pcs	Class I / Class II	SPD, PLC, RF, NEMA socket, ZHAGA socket, Lightswitch
S2S.T.SA.48.120._ _ _	48	120	Up to 18220	152	400	8	S LUM 2	DALI	< 5 pcs	Class I / Class II	SPD, PLC, RF, NEMA socket, ZHAGA socket, Lightswitch
S2S.T.SA.48.135._ _ _	48	135	Up to 20120	149	440	8	S LUM 2	DALI	< 5 pcs	Class I / Class II	SPD, PLC, RF, NEMA socket, ZHAGA socket, Lightswitch

\*Luminous flux is valid for CCT 4000 K

The latest validated data is available at [www.lumenia.com](http://www.lumenia.com).