

E LUM

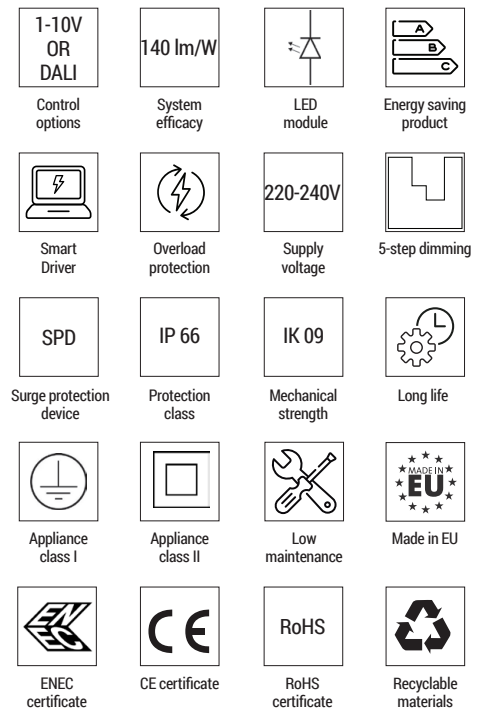


**LUMENIA
STREET**

The E LUM LED light is a high-tech street light with a modern, extremely thin, aerodynamic design. It integrates seamlessly into all public and private outdoor areas, as well as all road types. The E LUM LED is an ideal choice for all categories of streets, parking lots, urban areas, and city centers. It is made of modern high-tech materials that have been tested in the automobile and medical industries.



	E LUM 1	E LUM 2
System efficacy	Up to 140 lm/W	Up to 140 lm/W
Supply voltage	220-240 VAC 50 ÷ 60 Hz	220-240 VAC 50 ÷ 60 Hz
LED	8-24	48-96
Power	10-80 W	80-220 W
Luminous flux	1,450-8,400 lm	8,490-27,000 lm
EPA rating	0.0552 m ²	0.0862 m ²
Advisable installation height	Up to 9 m	Up to 16 m
Weight	7 kg	15 kg
Lifetime L80B10	>65,000 h (Economy & Standard)	
Lifetime L90B10	>100,000 h (Premium)	
CCT	4,000 K, other upon request	
CRI	≥70, ≥80 upon request	
Ingress protection	IP 66	
Mechanical strength	IK 09	
Surge protection options	10 kV / 6kV; additional SPD 10 kV / 10 kA	
Operating temperature	-40 °C to +55 °C	
Electrical / Appliance class	Class I, Class II	
Tilt	0° to 90°	
Dimming levels	0-100 %	
Remote control options	Optional RF or PLC	
Colour (RAL)	RAL 7037	
Housing material	Aluminium	
Mounting	Pole 60 mm (possible adapter use for other dimensions)	
Warranty	5 years on electronics, 10 years on mechanical parts	
Certificates	EN 55015:2006 + A1:2007 + A2:2009; EN 61000-3-2:2006; EN 61547:1995 + A1:2001; EN 61000-3-3:1995 + A1:2001 + A2:2005; EN 60598-1:2008 + A11:2009; EN 60598-2-3:2003 (3rd Ed.) + A1:2011; EN 60598-2-6:1994 (2 nd Ed.) + A1:1997; CE; ENEC;	



MAIN FEATURES

High efficacy - up to 140 lm/W
 Dynadimmer,
 1-10V or DALI,
 IoT compatible

APPLICATIONS

Road types: P1, P2, P3, P4, P5, P6, M1, M2, M3, M4, M5, M6
 Smaller sport playgrounds
 Parking lots

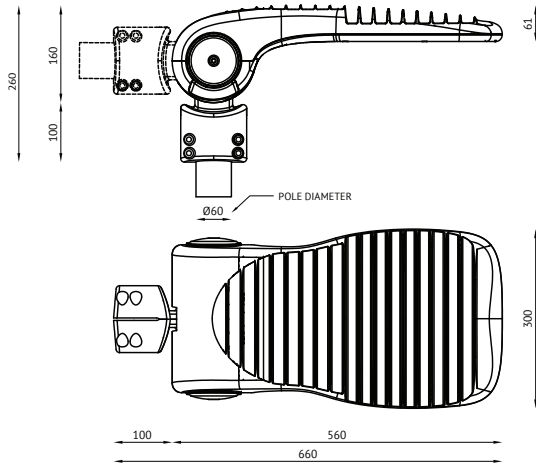
ACCESSORIES

Wall and pole mounting adapters
 Surge protection device (SPD)
 Nema Socket (lighting sensor)
 PLC and RF control options
 Integrated camera

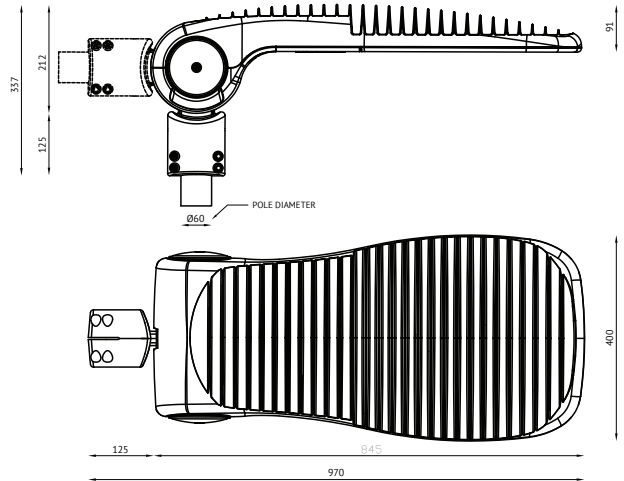
VARIATION	Economy	Standard	Premium
Efficacy	Up to 96 lm/W	Up to 112 lm/W	Up to 140 lm/W
Overheat protection	/	Yes	Yes
Power reduction	/	Yes	Yes
Time dependant luminous flux	/	Yes	Yes
CLO	/	Yes	Yes
Number of optics	8	8	8
Different CCT available	/	Yes	Yes
Control options	/	Optional	Optional
Surge protection options	/	Optional	Optional

DIMENSIONS

E LUM 1



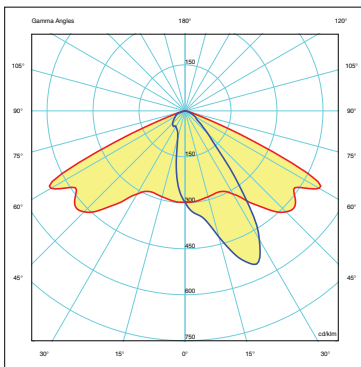
E LUM 2



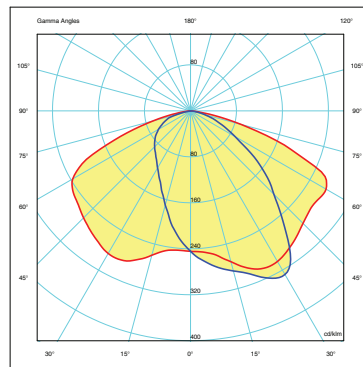
*All dimensions are in mm.

OPTICS

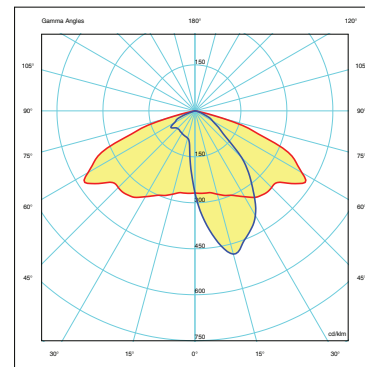
ALL OPTICS



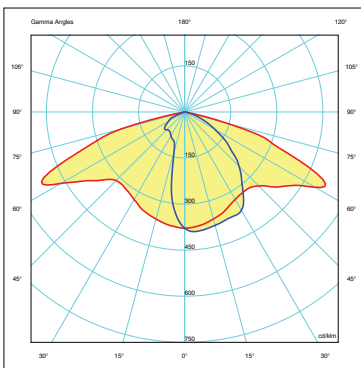
000: Suitable for high installation, larger distances between poles and for parking spaces.



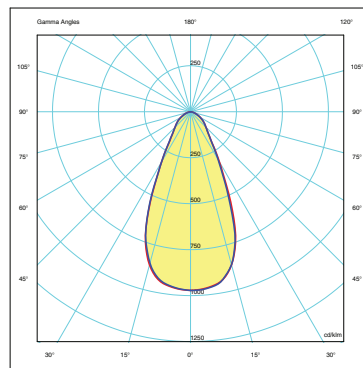
001: Suitable for wider roadways and smaller distances between poles and for parking spaces.



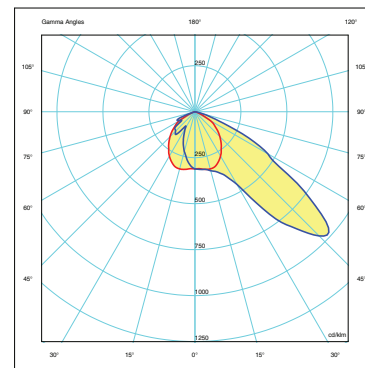
002: Suitable for narrower roadways, access roads, cycling and pedestrian areas.



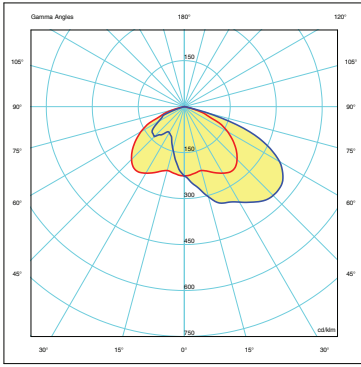
010: Suitable for larger distances between poles and for high mounting installation. Higher uniformity factor.



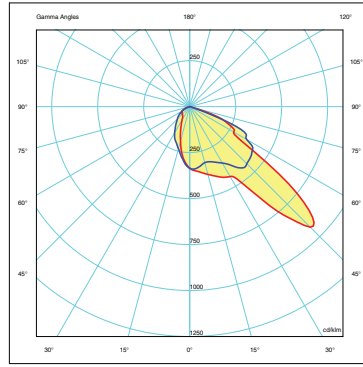
100: Suitable for parking spaces and pedestrian crossings.



101: Suitable for parking spaces. Small distances between poles are required.



110: Suitable for wide roadways and parking spaces with smaller distances between poles.



111: Suitable for pedestrian crossings.

PRODUCT VARIATIONS

ECONOMY

Article	LED	Power [W]	Luminous flux [lm] *	Efficacy [lm/W]	Forward current [mA]	Optics available	Body type	Control	Luminaires per fuse	Appliance class	Additional options
E LUM ES 12.030_ _ _	12	30	Up to 2850	95	700	8	E LUM 1	/	<21 pcs	Class I / Class II	SPD, Lightswitch
E LUM ES 24.060_ _ _	24	60	Up to 6000	100	700	8	E LUM 1	/	<11 pcs	Class I / Class II	SPD, Lightswitch

*Luminous flux is valid for CCT 4000 K

STANDARD

Article	LED	Power [W]	Luminous flux [lm] *	Efficacy [lm/W]	Forward current [mA]	Optics available	Body type	Control	Luminaires per fuse	Appliance class	Additional options
E LUM 08.015_ _ _	8	15	Up to 1450	97	540	8	E LUM 1	DALI or 1-10V	<50 pcs	Class I / Class II	SPD, PLC, RF, Nema Ready, Lightswitch
E LUM 12.030_ _ _	12	30	Up to 2850	95	700	8	E LUM 1	DALI or 1-10V	<21 pcs	Class I / Class II	SPD, PLC, RF, Nema Ready, Lightswitch
E LUM 24.060_ _ _	24	60	Up to 6000	105	350	8	E LUM 1	DALI or 1-10V	<21 pcs	Class I / Class II	SPD, PLC, RF, Nema Ready, Lightswitch
E LUM 24.080_ _ _	24	80	Up to 8400	105	950	8	E LUM 1	DALI or 1-10V	<11 pcs	Class I / Class II	SPD, PLC, RF, Nema Ready, Lightswitch
E LUM 48.080_ _ _	48	80	Up to 8490	106	470	8	E LUM 2	DALI or 1-10V	<11 pcs	Class I / Class II	SPD, PLC, RF, Nema Ready, Lightswitch
E LUM 48.120_ _ _	48	120	Up to 11450	95	700	8	E LUM 2	DALI or 1-10V	<9 pcs	Class I / Class II	SPD, PLC, RF, Nema Ready, Lightswitch
E LUM 80.095_ _ _	80	95	Up to 10500	111	340	8	E LUM 2	DALI or 1-10V	<9 pcs	Class I / Class II	SPD, PLC, RF, Nema Ready, Lightswitch
E LUM 80.140_ _ _	80	140	Up to 14900	106	500	8	E LUM 2	DALI or 1-10V	<9 pcs	Class I / Class II	SPD, PLC, RF, Nema Ready, Lightswitch
E LUM 96.190_ _ _	96	190	Up to 19350	102	560	8	E LUM 2	DALI or 1-10V	<4 pcs	Class I / Class II	SPD, PLC, RF, Nema Ready, Lightswitch

*Luminous flux is valid for CCT 4000 K

PREMIUM

Article	LED	Power [W]	Luminous flux [lm] *	Efficacy [lm/W]	Forward current [mA]	Optics available	Body type	Control	Luminaires per fuse	Appliance Class	Additional options
E LUM PR 8.015_---	8	15	Up to 1670	111	350	8	E LUM 1	DALI or 1-10V	<50 pcs	Class I / Class II	SPD, PLC, RF, Nema 3p Ready, Lightswitch
E LUM PR 12.030_---	12	30	Up to 3350	112	700	8	E LUM 1	DALI or 1-10V	<21 pcs	Class I / Class II	SPD, PLC, RF, Nema 3p Ready, Lightswitch
E LUM PR 24.060_---	24	60	Up to 6450	107	950	8	E LUM 1	DALI or 1-10V	<11 pcs	Class I / Class II	SPD, PLC, RF, Nema 3p Ready, Lightswitch
E LUM PR 24.080_---	24	80	Up to 8400	105	950	8	E LUM 1	DALI or 1-10V	<11 pcs	Class I / Class II	SPD, PLC, RF, Nema 3p Ready, Lightswitch
E LUM PR 48.080_---	48	80	Up to 8490	106	470	8	E LUM 2	DALI or 1-10V	<11 pcs	Class I / Class II	SPD, PLC, RF, Nema 3p Ready, Lightswitch
E LUM PR 48.120_---	48	120	Up to 14000	117	700	8	E LUM 2	DALI or 1-10V	<9 pcs	Class I / Class II	SPD, PLC, RF, Nema 3p Ready, Lightswitch
E LUM PR 80.095_---	80	95	Up to 12000	126	340	8	E LUM 2	DALI or 1-10V	<9 pcs	Class I / Class II	SPD, PLC, RF, Nema 3p Ready, Lightswitch
E LUM PR 80.140_---	80	140	Up to 16700	119	500	8	E LUM 2	DALI, 1-10V	<9 pcs	Class I / Class II	SPD, PLC, RF, Nema 3p Ready, Lightswitch
E LUM PR 96 190_---	96	190	Up to 24000	126	510	8	E LUM 2	DALI or 1-10V	<4 pcs	Class I / Class II	SPD, PLC, RF, Nema 3p Ready, Lightswitch

*Luminous flux is valid for CCT 4000 K

The latest validated data is available at www.lumenia.com.

NOTES
